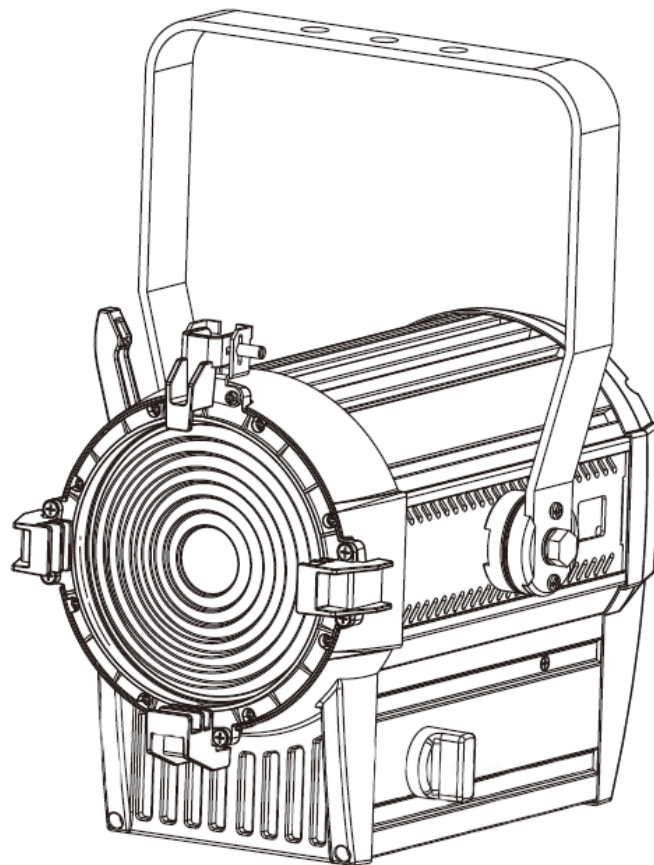


FD3

LEDFRE200

USER MANUAL

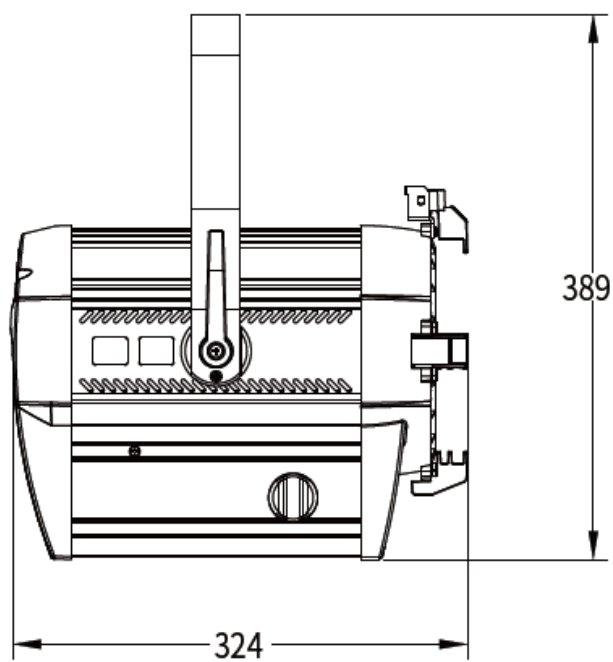
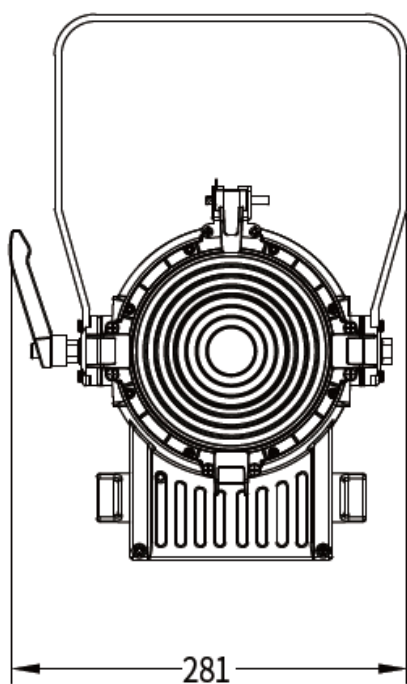


1 PRODUCT

1.1 TECHNICAL SPECIFICATIONS

Fixture Name	FD3
Light Source	100W 32000K LED
Angle	0°~60°
Power Consumption	100W
Control Protocols	DMX512, RDM
Voltage Range	AC100~240V,50/60Hz
IP Rating	IP20
Operation Temperature	0° to 45°
Dimensions	324 x 281 x 389mm
Weight	6.1kg

DIMENSIONS



1.2 Safety Notes

IMPORTANT

- Fixture must be installed by an experienced professional.
- To maintain the condition and to ensure safe operation, follow the safety instructions and warning notes outlined in this manual.
- The manufacturer is not liable for any damage caused by the operator not abiding to the manual or any modification made to this device.

CAUTION!

- Make sure that the voltage supplied to the fixture is not higher than stated on the rear panel.
- Do not handle the power cable with wet hands.
- The earth wire must always be connected to ground. It is essential to connect the yellow/green conductor to earth.
- Make sure that the power cord is not damaged by sharp objects or serrated edges, or beyond the minimum bend radius, or crushed. Check the device and the power cord before operation. The electrical connection, repairs and servicing of this fixture must be carried out by a qualified person and to Australian/New Zealand Standards.
- Always disconnect the power input cable to completely remove power from unit when not in use or before cleaning or servicing of the fixture.
- Do not power cycle the fixture in short intervals as this could affect the fixture's life span.
- Do not touch the device's housing with bare hands during operation. The surface of the casing can reach up to 65°C during operation.
- Make sure no materials are in contact with the fixture. Ensure the product is in a location where there is no risk of accidental contact.
- Allow the fixture to cool for at least 10 minutes before handling.
- If replacing lamps and fuses, use replacements of the same type and rating only.
- To avoid damage during transportation and installation, use appropriate casing and protection. If there is any damage to the coating, the shell may corrode.
- Before hanging the fixture verify hanging points and ensure they can support the weight. Ensure the hook clamps or couplers can bear at least 10 times the weight of the fixture.
- Ensure the fixture has a safety cable and that it is attached correctly. Please follow the illustrations in this manual. Before use, check that the housing is firmly closed, and all screws are fastened to correct torque.
- The maximum ambient temperature for operation is 45°C. Do not operate the product if the ambient temperature (Ta) exceeds 45° C.
- During the first start-up, some smoke may appear, or a smell may be present. This is a normal process and does not necessarily mean that the device is defective.

Electrical Warning

- The light source contained in this luminaire shall only be replaced by the manufacturer, service agent, or a similarly qualified person.
- When replacing fuses, replacements must be the same type and rating.
- The lens must be replaced if damaged to ensure the fixtures function is not impaired e.g. cracks or deep scratches.

Keep the product away from flammable materials

- Keep all combustible materials (fabric, wood, paper etc) at least 500mm away from the fixture.
- Ensure that there is adequate and unobstructed airflow into the product. Provide a minimum clearance of 150mm around fans and air vents.
- Do not illuminate surfaces within 3m of the product.
- Do not install a fuse that has a higher rating than the original installed. Under no circumstances bypass fuses.
- Do not install filters, masks, or any other materials onto optical components.
- If the fixture seems to be abnormally hot, shows signs of melting or emits smoke, disconnect the fixture from power immediately and allow it to cool. Do not touch the fixture without appropriate PPE. Keep the fixture well away from combustible and flammable materials.

NEVER LOOK DIRECTLY INTO THE LIGHT SOURCE RETINA INJURY RISK - MAY INDUCE BLINDNESS

Do not point the optics of the fixture towards the sun or other strong light sources. The lens focuses and concentrates light like a magnifying glass and can cause internal damage to the fixture and could melt components or start an internal fire within seconds.

To avoid problems from strong light sources:

- Do not focus beams from one fixture directly into another fixture.
- For outdoor applications ensure that the fixture's optics is pointed away and shielded from sunlight even when not in use.
- Do not expose the product to excess heat from other lighting fixtures.

2 INSTALLATION

2.1 Mounting

Truss installation

- ◆ The LED fixture can be mounted using the support bracket. The bracket should be secured to the mounting surface using an appropriate mounting clamp. When mounting the unit, a safety chain should also be used.

2.2 Power Connections

- ◆ 220 – 240V: 13 units may be connected in series
- ◆ 110 – 120V: 6 units may be connected in series

AC Plug

Connection	Wire Colour	Screw Colour
AC Live	Brown	Yellow/Brass
AC Neutral	Blue	Silver
AC Ground	Striped Green/Yellow	Green

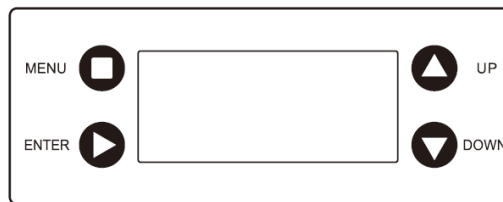
3 FUNCTIONS AND SETTINGS

3.1 Display Navigation

- ◆ Menu: Accesses the menu or returns to a previous menu option.
- ◆ Enter: Selects, stores or confirms the current function, value or option highlighted in the menu.
- ◆ Up: Navigates upwards through the menu list. Increases the numeric value when in a selected function.
- ◆ Down: Navigates downwards through the menu list. Decreases the numeric value when in a selected function.

To unlock the display:

Hold the enter button for 5 seconds until the enter password prompt appears. Enter the password- Up Down Up Down



3.2 Menu Map

STATIC	DIMMER		0 - 100	
RUN MODE	DMX512			
	SLAVE			
	DMMR			
	SENS			
ADDRESS			001 - 512	
SETTING	KEY		OFF	
			ON	
	DIMMER		OFF	
			DIM1	
			DIM2	
			DIM3	
			DIM4	
	CURVE		OFF	
			CURVE1	
			CURVE2	
			CURVE3	
	PERFORM		LIVE	
			STUDIO	
			POWER	
	SLOCK		OFF	
			ON	
	PERSONALITY		UNO	
			DOS	
			STD.P	
	DMX ERROR		SAVE	
			BLACK	
	RESET	****	RESET	OK
	MODE SETTING		SELF	
			MASTER	
	LED PWM		600Hz	
			1200Hz (Default)	
			2400Hz	
			4000Hz	
			6000Hz	
			25000Hz	

4 . DMX Channels

UNO (1CH)	Value	Function
1	0 – 255	DIMMER

DOS (2CH)	Value	Function
1	0 – 255	DIMMER
2	0 – 255	DIMMER FINE

STD.P (3CH)	Value	Function
1	0 – 255	DIMMER
2	0 – 255	DIMMER FINE
3	000 – 009	OPEN
	010 – 099	STROBE (SLOW TO FAST, 0 – 25Hz)
	100 – 109	OPEN
	110 – 179	LIGHTNING STROBE (SLOW TO FAST, 0 – 25Hz)
	180 – 189	OPEN
	190 – 255	RANDOM STROBE (SLOW TO FAST, 0 – 25Hz)

CURVE SETTINGS

